

SpiroQuant A+
Mass flow measurement

SpiroQuant A+

Mass flow measurement

Accurate

- temperature compensated
- low pressure drop

Reliable

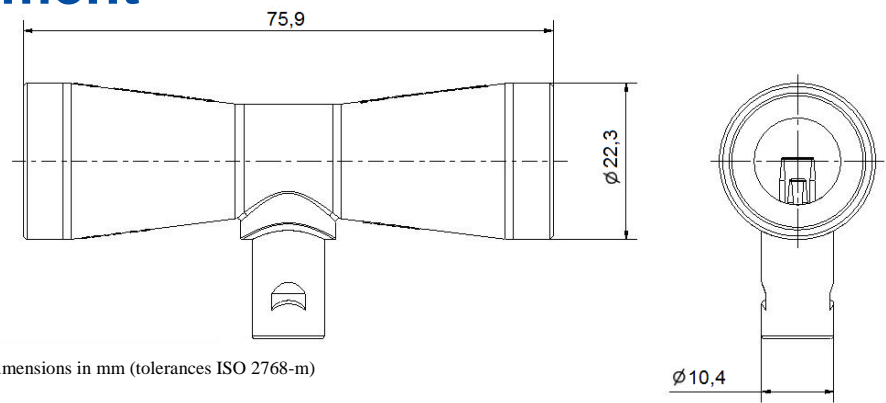
- fast response time
- long durability

Medical applications:

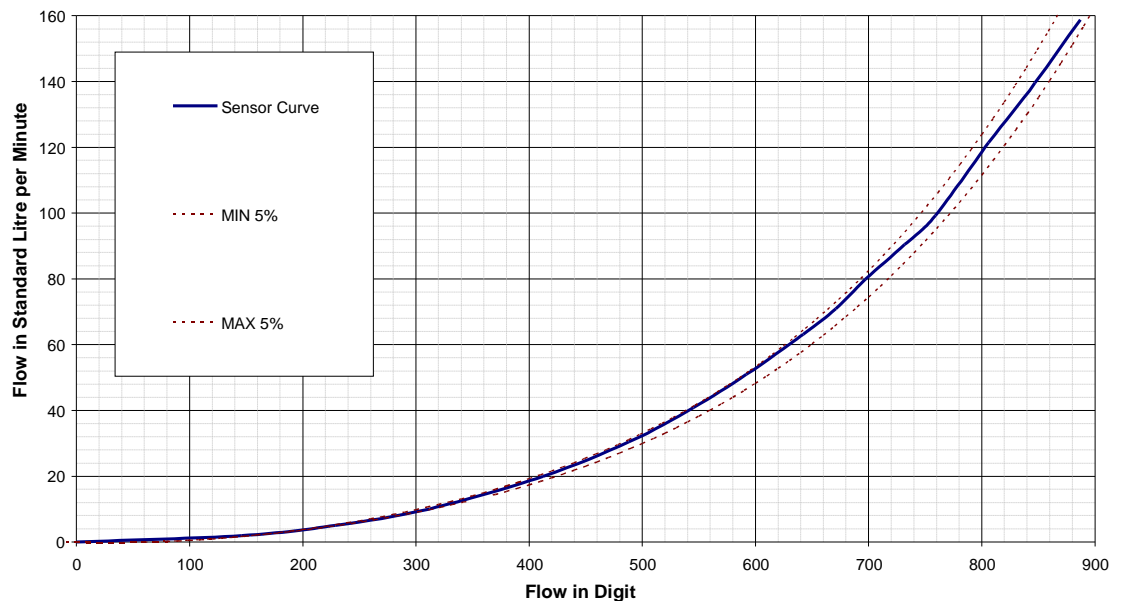
- ventilation monitoring
- service

Industrial applications:

- flow control
- process monitoring
- quality assurance



Characteristic flow curve with flow module SpiroQuant MAX



Technical data

Measuring principle	Constant temperature hot wire anemometry
Application	Designed for flow module SpiroQuant MAX (compatible with Dräger Spirolog sensor)
Flow range	0 to 160 SLPM
Accuracy	± 5 % reading with flow module SpiroQuant MAX (± 8 % used in Dräger ventilators)
Added resistance	< 2.5 mbar
Pressure range	± 100 mbar
Connection	Gold plated 4 pin (compatible with Dräger Spirolog sensor)
Operation temperature	+ 15°C to + 40°C
Storage temperature	- 20°C to + 70°C
Life time	Applicable as long as a sensor calibration is successful
Material	MABS
Disinfection	Single patient use recommended / disinfection in 70% ethanol solution without mechanical influence of hot-wires inside of sensor possible

Order information

Flow sensor SpiroQuant A+ (Box of 5)	1000470
Flow module SpiroQuant MAX	1001487

Subject to technical changes